

## RIEGEL CTP-AC-123653 (Order no. 123653)

### Bolt for safety switch CTP, CTA

- ▶ Steel bolt
- ▶ For doors hinged on the right and left
- ▶ Can be locked in open position with padlocks
- ▶ Actuator included



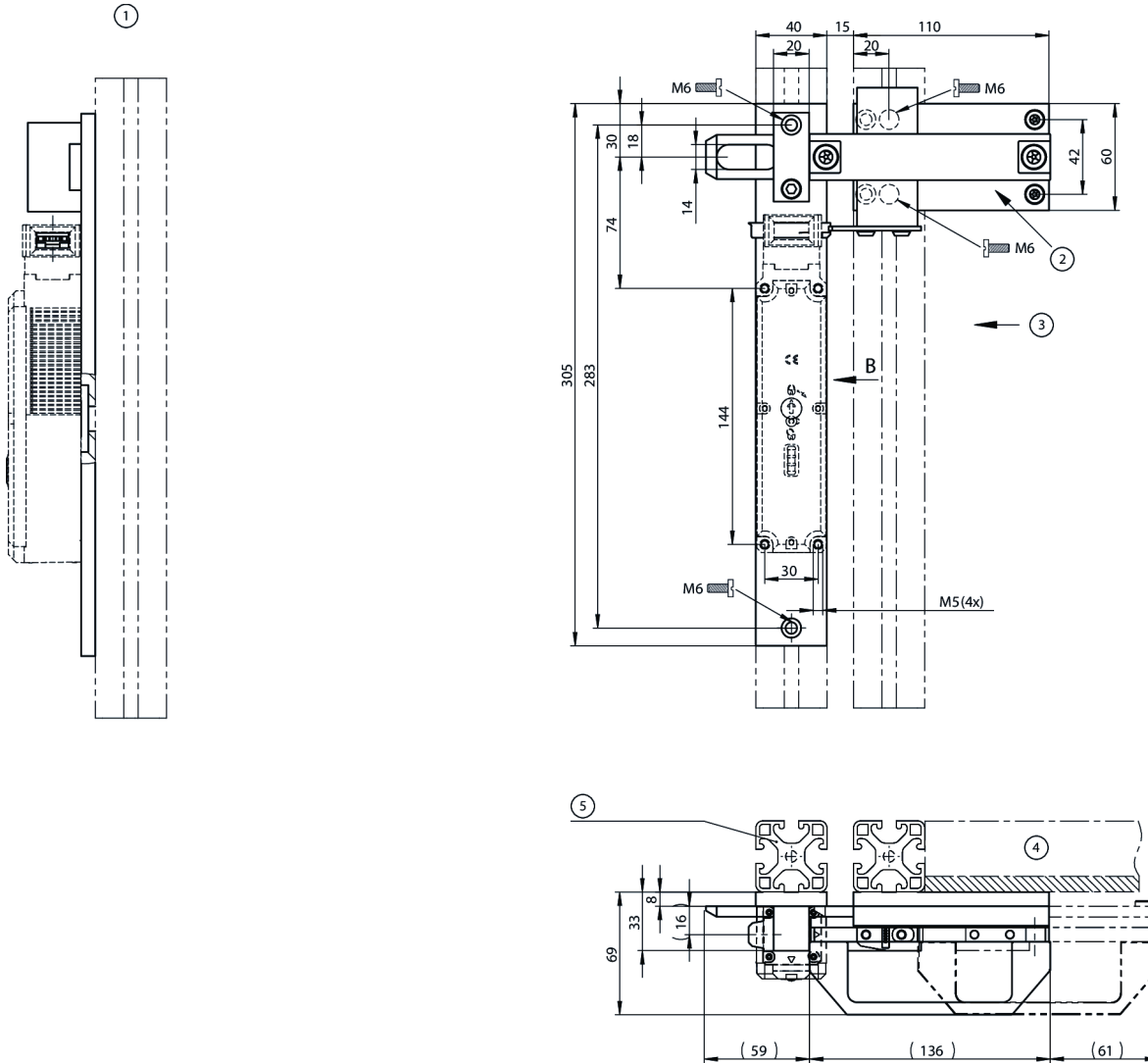
### Benefits

- ▶ Robust construction
- ▶ Easily mounted to standard aluminum profiles and machine covers by screw connection
- ▶ Distinctive yellow color for easy recognition
- ▶ No additional door handle necessary

### Notes

- ▶ The bolts are suitable for series CTP and CTA.
- ▶ Order safety switch separately

## Dimensional drawings



1 View B

2 Attention! Bolt is not allowed to be used with an escape release!

3 Safety switch CTP approach direction A

4 Door hinged on the right

5 Safety guard frame (40x40)

## Technical data

### Mechanical values and environment

Approach direction	A or C
Number of safety switches that can be mounted	1
Escape release	none
Material	
Base plate	Galvanized steel
Guide strips	Plastic
Switch bracket	Steel powder-coated
Handle	Plastic

### Miscellaneous

Detent mechanism	none
------------------	------

## Downloads

All documentation for this material can be found on our website:

<https://www.euchner.de/en-us/a/123653/?#downloads-tab>

**Ordering data**

Ordernumber	123653
Item designation	RIEGEL CTP-AC-123653
Gross weight	2,146kg
Customs tariff number	83014090000

## Accessories

### Spare parts

#### Replacement handle for EUCHNER bolts



**093500**

RIEGELGRIFF/V5

- ▶ Material: plastic, fiber glass reinforced polypropylene (PP)
- ▶ Color: black, matte
- ▶ Temperature resistance up to 100 °C
- ▶ Packaging unit 5 pieces